

### INSTALLING TO CONCRETE:

Use concrete expansion bolts (included) to mount to concrete wall only

### INSTALLING TO DRY WALL:

1. You will need to purchase 1/4" toggle or molly bolts that are about 2-1/2" ~ 3-1/2" in length.
2. Be sure to install on a stud strong enough to withhold the weight of the dryer/arm support assembly.
3. Install the dryer mounting bracket on the wall at desired location with recommended dimensions and measurement.

### CONTACT US

☎ 972-926-6488

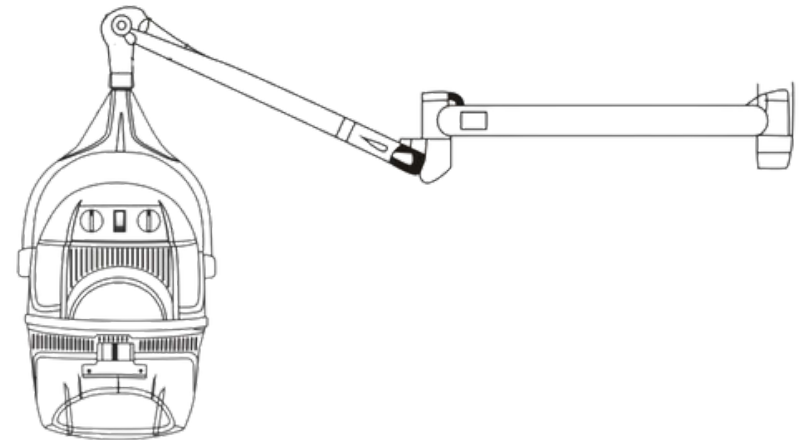
✉ [service@aycllc.com](mailto:service@aycllc.com)

🌐 [www.aycllc.com](http://www.aycllc.com)



## LIBRA II WALL MOUNT HAIR DRYER

MODEL: ZHI-DRY-204-B  
Wall Arm

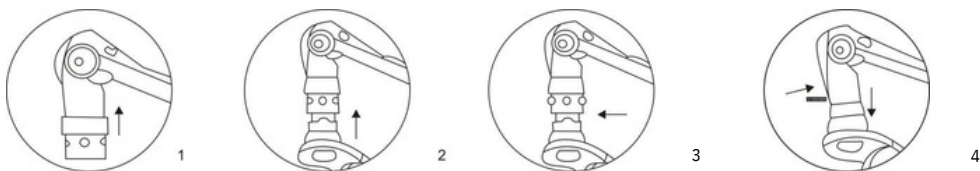


Thank you very much for purchasing our product.  
Please read our user manual carefully prior to use.

## I. HAIR DRYER AND WALL ARM ASSEMBLY

- Place the steel ring above the ball bearings on the neck of the wall arm (diagram 1).
- Insert hair dryer head into the neck (diagram 2).
- Lubricate the four small ball bearings and insert into the four small round sockets (diagram 3).
- Pull down the steel ring to cover the ball bearings and fasten with the small screw above the ring (diagram 4).

**\*\*DO NOT INSTALL ARM TO THE WALL FIRST AND ATTACH DRYER AS IT MIGHT CAUSE ARM ADJUSTMENT MALFUNCTION\*\***



## II. ADJUSTING THE NECK

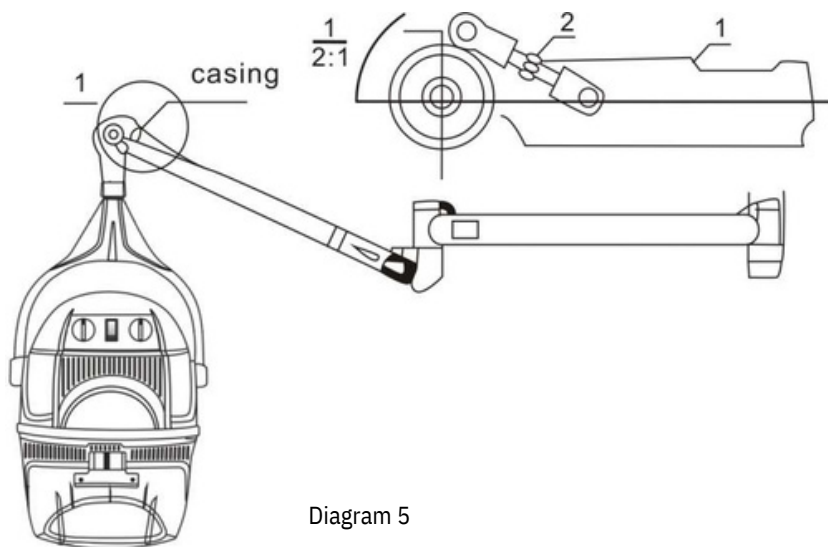


Diagram 5

## III. NECK'S FITTING MEASUREMENTS

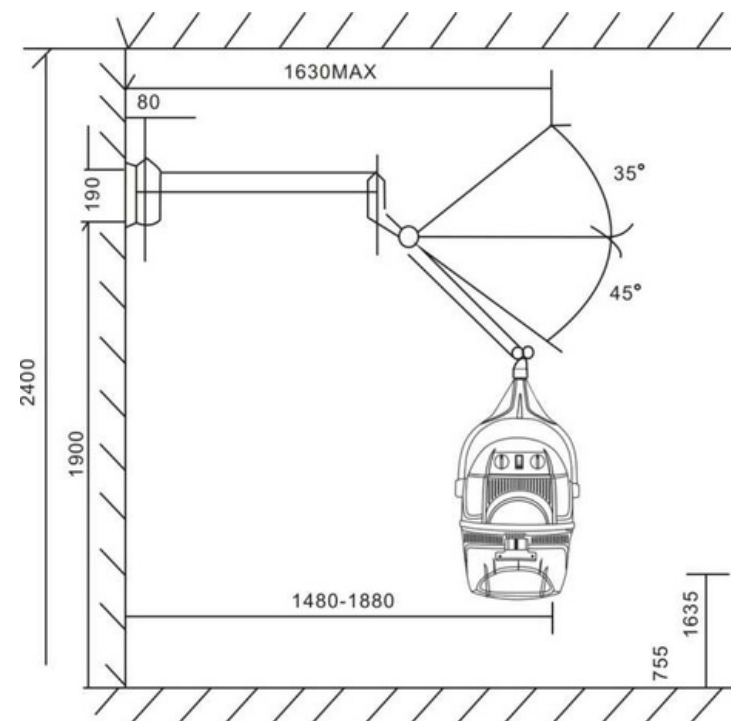


Diagram 6

## IV. BOUNCE ADJUSTMENT

- If the hair dryer gets stuck, adjust the neck's bounce (diagram 5).
  - To adjust the bounce, twist off casing screw.
  - Adjust screw with screwdriver in the neck adjustment slots until satisfied with location.

## V. BALANCE ADJUSTMENT

- If hair dryer is not horizontal, an adjustment is recommended
  - To adjust the balance, twist off the casing screw.
  - Adjust screw with needle nose pliers until the dryer is horizontal.